

# 2015



LEDS-1.COM



# LED Lighting 2015

## LED Under Cabinet Lighting

**11 - 23**

LED Puck lights

LED Linear lights

Flexible LED Strips

Aluminum Channel

## Sign modules

**24 - 25**

## RGB Flex & Fixtures

**25 - 33 : 54 - 57**

RGB Flexible strip

RGB Controllers

RGB fixtures - DMX

## LED Power Supplies

**36 - 39**

Indoor

15 & 30W

Indoor/Outdoor

30/60 & 132W

Indoor/Outdoor Dimmable

20/60/150 & 300W

## RV, Boat & Automotive

**59**

12V LED bulbs

## Accessories

**62**

OEM

**60**

## LED Step, Deck & Outdoor lighting

**6 - 10 : 53-57**

LED Step lights

Single, Triple & Round  
Junction box lights

Recessed mini step lights

LED Garden lights & Outdoor floods

## LED Decorative lighting

**55 - 58**

Sign & Festival lighting

RGB Wall Washers

## Power LED Bulbs

**41 - 52**

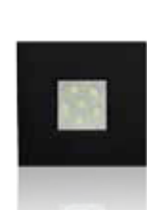
Spot lights

Floodlights





### M6 Step light



Square trim options BK/WH/BN



Scoop option (BN only)



Big Trim option (BN only)

Product SKU	LS - RD12 - 6 - XX
Voltage	12V DC
Wattage	0.36W
# of LEDs	6
Housing	PC
Color Temperature	WW / CW / RGB
Dimensions	Ø1.54 x H.94in Ø39 x H24mm
Lumens	45
IP Rating	66 - Indoor/Outdoor
Beam degree	90°

### Applications

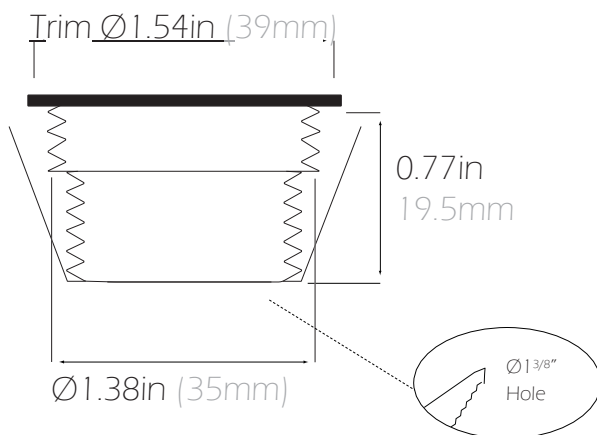
- Step light
- Accent lighting
- Display light
- Cabinet lighting

### Features

Multiple Trim styles available

- Black
- White
- Brushed Nickel
- Round (big) & Square versions
- Spring clips to allow simple pressure fit installation
- Fully sealed for outdoor use

### 3 Year Warranty





### M1 Step light



Square trim options



Round trim options



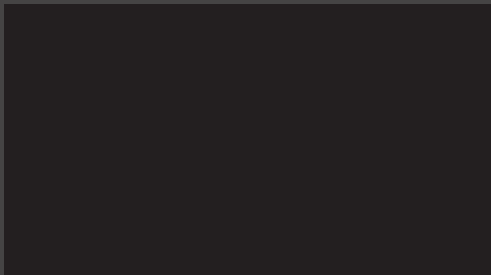
- Recessed install only
- Scoop option available



Big Trim option - BN only

Product SKU	LS - RD12 - 1 - XX
Voltage	12V DC
Wattage	1W
# of LEDs	1 Power LED
Housing	Aluminum
Color Temperature	WW or CW
Dimensions	Ø1.54 x H.94in Ø39 x H24mm
Lumens	85
IP Rating	66
Replaces	10W Incandescent

### Applications

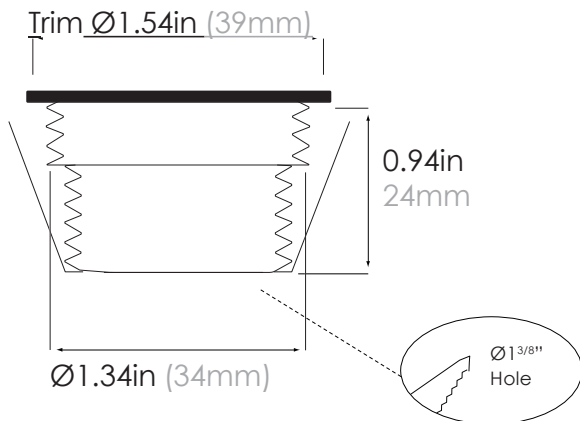


### Features

Multiple Trim styles available

- Black
- White
- Brushed Nickel
- Round (big) & Square versions
- Spring clips to allow simple pressure fit installation
- Fully sealed for outdoor use

**3 Year Warranty**





**Wet location** rated

**Fits:** Single gang junction box

### Applications

- Step light
- Path light
- Deck light




### Features

- ETL Listed for Indoor & Outdoor Wet Applications
- Fits standard North American Junction box
- Simple to install
- Modern contemporary design
- High Quality components
- +50,000 hour lifespan
- **3 Year** Warranty

All **trims available** in all styles & colors: **Louver**, **Scoop** and **Window**

**Black/White or Brushed Nickel**



Product SKU	LS - RT05HV
Voltage	100 - 240V AC 12V DC (3000K & RGB only)
Wattage	2W
Color Temperature	Warm white 3000K Natural white 4000K RGB (12V DC only)
Lumens	145
Fits	Standard Single Gang Junction box
Trim Options	Window, Louvered & Scoop
Finish options	 Brushed Black White Nickel

# LED Step Lighting For Indoor & Outdoor Applications



Product SKU	LS - RT10HV
Voltage	100 - 240V AC
Wattage	3.2W
Color Temperature	Natural White 4000K
Lumens	250 - 300
Fits	Standard Triple Gang Junction box
Trim Options	Window & Louvered

**Wet location** rated

**Fits:** Triple gang junction box

## Applications

- Step light
- Path light
- Deck light



**Includes:** LED Light engine - Gasket & Trim

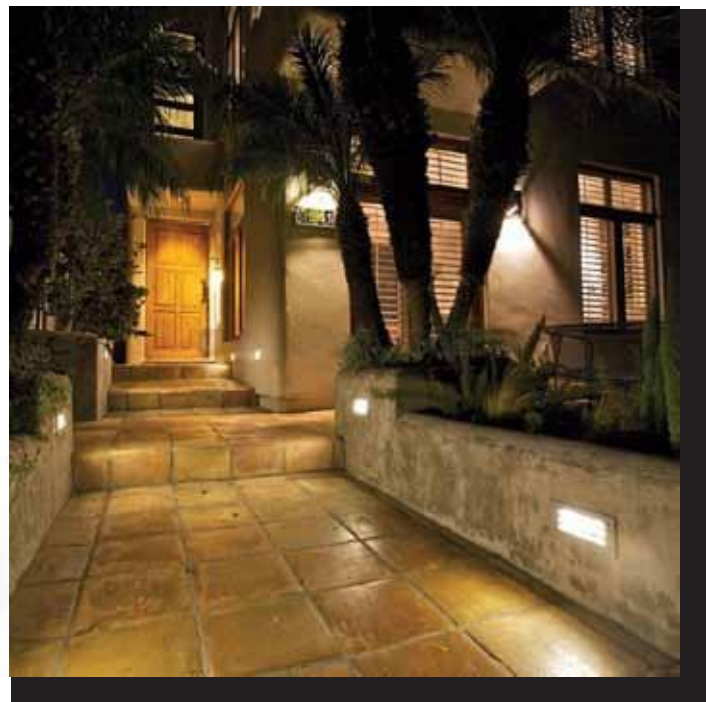
## Features

- **ETL Listed** for Indoor & Outdoor Wet Applications
- Fits standard North American Junction box
- Simple to install
- Modern contemporary design
- High Quality components
- +50,000 hour lifespan
- **3 Year** Warranty

**Trim dimensions:** L178 x W131 x H10mm




Brushed Nickel Black White



## LED Step Lighting For Indoor & Outdoor Applications



Product SKU	LS - RD5HV
Voltage	100 - 240V AC
Wattage	3W
Color Temperature	Warm white 3000K Natural White 4000K
Lumens	260
Fits	Standard Round Junction box
Light engine Dimensions	Ø60 x 87 mm
Trim style options	Window & Louvered
Trim Color options	

**Wet location** rated

**Fits:** Round junction box



### Applications

- Step light
- Path light
- Deck light



**Includes:** LED Light engine - Gasket & Trim

### Features

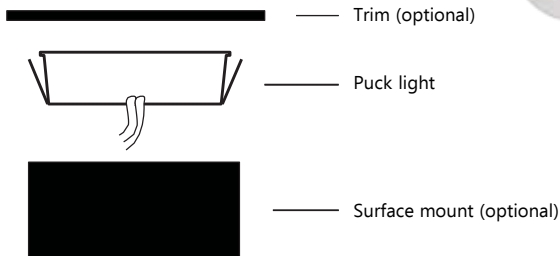
- ETL Listed for Indoor & Outdoor Wet Applications
- Fits standard North American Junction box
- Simple to install
- Modern contemporary design
- High Quality components
- +50,000 hour lifespan
- **3 Year** Warranty

**Trim dimensions:** L121 x W121 x H9mm



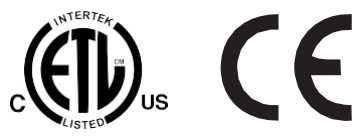


### RD7 Cabinet light



Product SKU	LS - RD7 - XX
Voltage	12V DC
Wattage	2W
# of LEDs	12
Color Temperature	WW 3000K / NW 4500K RGB
Dimensions	Ø1.97 x 0.75in Ø50 x 19mm
Lumens	160
Replaces	15W Halogen

### Recessed or surface mount install



### Applications

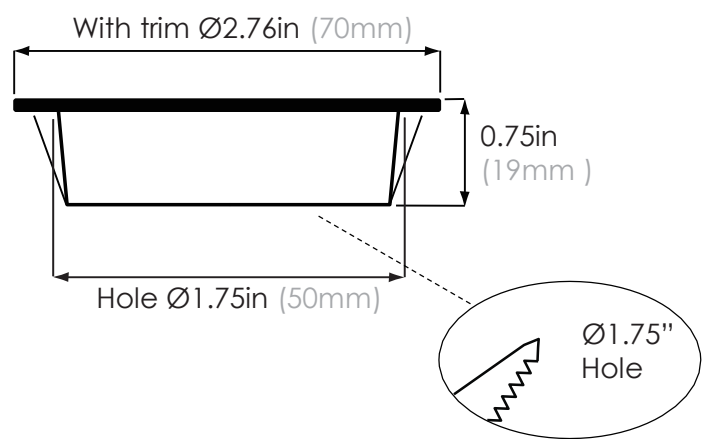
- Cabinet lighting
- Display lighting
- Furniture lighting
- RV & Yacht

### Features

- Trim colour options
- Black
  - White
  - Brushed Nickel
- Swivel Trim options
- Brushed Nickel
  - White

Xbrite SMD LED technology

3 Year Warranty







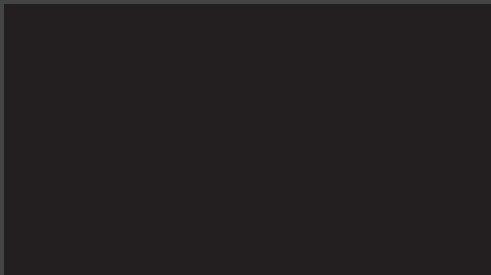
### XP3 Power puck light



**Recessed or surface** mount install

Product SKU	LS - RD15 - XX
Voltage	12V DC
Wattage	3W
# of LEDs	3 x 1W Power LEDs
Color Temperature	WW or CW
Dimensions	Ø2.75 x 0.53in Ø69.8 x 13.5mm
Lumens	220
Hole size (recessed)	Ø2.5in (63.5mm)
Housing color	Brushed chrome Powder coated black / white
Includes	Puck light, matching surface mount bezel, 12" wire leads

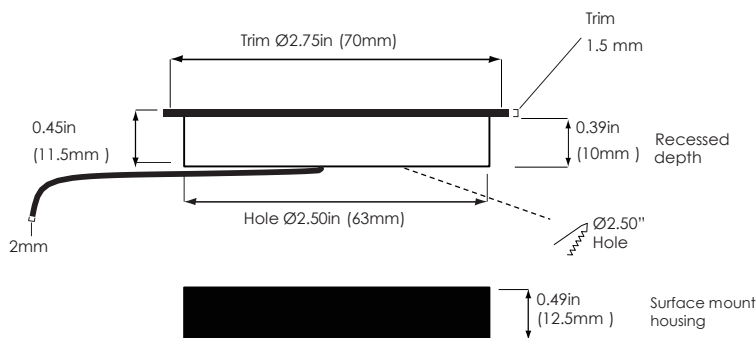
### Applications



### Features

- Ultra thin aluminum housing
- Power LED technology
- Recessed & surface mount options
- Modern contemporary design
- Simple to install
- Long lifespan

**3 Year Warranty**





RD7/MR16/GU10  
with Swivel Trim



Recessed install with 90° swivel



COB LED



Product SKU	LS-RD7-S-WH LS-RD7-S-BN	LS-MR16-S-WH LS-MR16-S-BN
Voltage	12V DC	12V AC/DC
Wattage	2W	7W
Light spread	120°	40°
# of LEDs	12 SMD LEDs	1 COB
Color Temp	WW/NW/RGB	Warm White
Trim Dimensions	W82 x H14mm	Ø50 x H39mm
Lumen output	160	475
Trim	BN or white	BN or white
Trim material	Brushed or painted die cast metal	Brushed or painted die cast metal

### Applications

- Under cabinet light
- Display lighting
- Downlighting
- Furniture

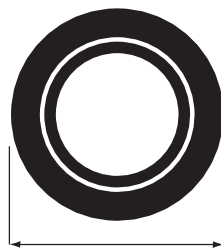
### Features

- Simple recessed installation
- Can be used with our RD7 puck light or MR16 bulbs
- Sleek profile
- Brushed/painted die cast metal housing
- Contemporary modern design
- Simple installation

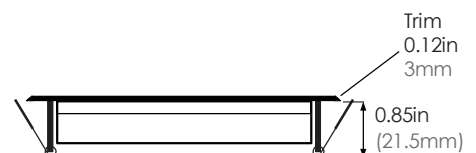
### 3 Year Warranty



- **Options include:** RD7 or MR16 + White or Brushed nickel swivel trim
- Trim can also be purchased separately



Trim Ø3.35in (85mm)



Hole cut size:  
2.75in (70mm hole)





**LED** Linear lights  
Flexible strip  
& **RGB**





# Linkable LED mini linear light



Connect together for larger applications



Mounting hardware included

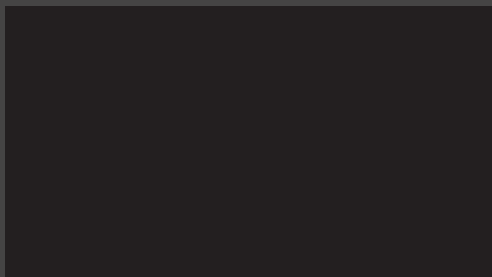


Each light comes with wire lead connector



Product SKU	LS - LL3 - ADJ - XX
Voltage	12V DC
Wattage	2.8W
Light spread	120°
# of LEDs	27
Color Temperature	Warm white 3000K Cool white 5500K
Dimensions	L12 x W0.63 x H0.3in L305 x W16 x 8mm
Lumen output	190
Housing	Aluminum

## Applications



## Features

- SMD LED Chip Technology
- Simple installation & easy operation
- Super thin profile - 8mm
- Easily connect together for larger applications
- Adjustable light angle - Aluminum housing
- Low heat output

### 3 Year Warranty



### Options...



90° Swivel clips  
**LL3-Swivel-clips**



Connectors for corners  
**LL3-Connect**



### White → Warm Color Control



Single chip dual color

WW & CW LEDs together

CCT-CNTRL-RF

Custom lengths available  
Cuttable every 3 LEDs



Product SKU	LS - LL2CCT - 42	LS - LL2CCT - 84
Voltage	12V DC	12V DC
Wattage	6W	12W
Light spread	120°	120°
# of LEDs	42	84
Color Temperature	WW → CW 2700K -- 6500K	WW → CW 2700K -- 6500K
Dimensions	L500xW17xH9mm	L1000xW17xH9mm
Lumen output	270	540
IP rating	65	65
Housing	Aluminum	Aluminum

## Applications

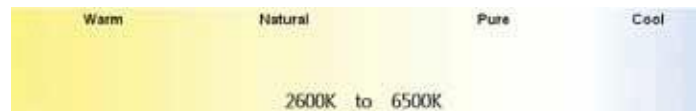
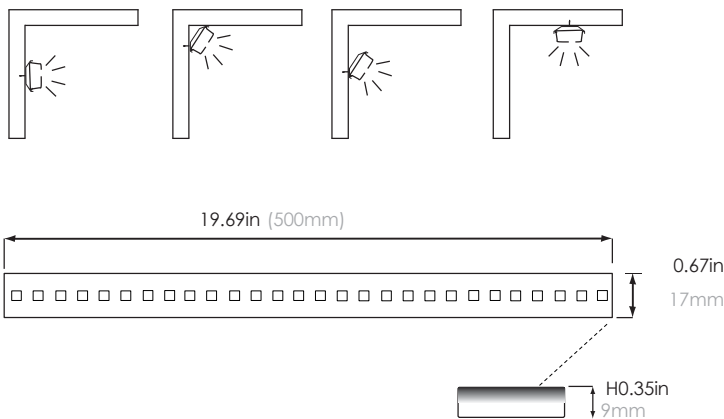
- Under cabinet light
- Back bar displays
- Display lighting
- Furniture

## Features

- Color changing from warm to cool
- Simple installation - includes mounting clips
- Easily connect together for larger applications
- Sleek profile -- Aluminum housing
- Energy efficient - lifespan **+50,000 hours**

**3 Year Warranty**

Installation options: Screw & Holder





### Indoor Flexible LED tape



3M Tape on back of flex



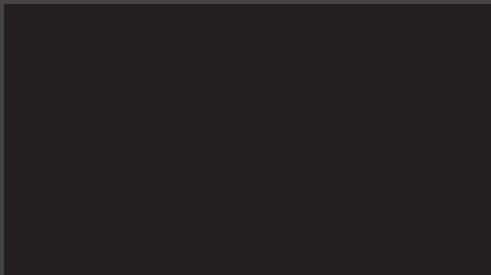
Fully dimmable



Product SKU	LS-Flex-Ind-12V-3M-60-XX LS-Flex-Ind-12V-5M-60-XX LS-Flex-Ind-12V-25M-60-XX
Voltage	12V DC
Wattage	4.8W per/Meter
# of LEDs	60 SMDs per 1M
Color Temperature	Warm white 3000K Cool white 5500K
Beam spread	140°
Dimensions	L197 x W0.3 x L0.08in L5000 x W8 x H2mm
Lumen output	145 per foot

**Available** in **3, 5** or **25** meter lengths  
**LED Tape** can be cut every 3 LEDs - 50mm (1.97")

### Applications



### Features

- Ultra thin flexible LED strip
- Double sided 3M tape
- **Xbrite** SMD LED technology
- Modern contemporary design
- Simple to install
- **+50,000** hour lifespan

**3 Year Warranty**



Solderless connectors make it easy to connect strips together after cutting.



SC-1



SC-2



SC-3



### Indoor Flexible **High output** LED tape



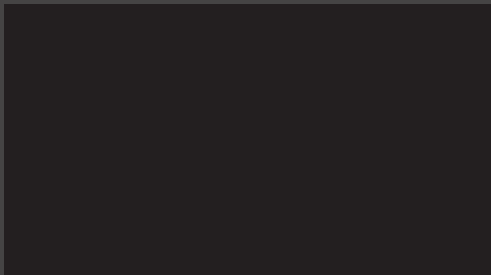
- 11.5W/ Meter
- Cuttable every 3 LEDs - 62mm (2.44")
- 3M Double sided tape on back

Product SKU	LS-Flex-5M-5050-Ind-12V-48-XX
Voltage	12V DC
Wattage	11.5W per/Meter
# of LEDs	48 - 5050 chips per Meter
Color Temperature	Warm white 3000K Cool White 5500K
Beam spread	140°
Dimensions	L197 x W0.4 x L0.08in L5000x W10 x H2mm
Lumen output	360 per foot



**Available** in 5 meter lengths

### Applications



### Features

- Ultra thin flexible LED strip
- Double sided 3M tape
- **Xbrite** SMD LED technology
- Modern contemporary design
- Simple to install
- **+50,000** hour lifespan

**3 Year Warranty**



Solderless connectors make it easy to connect strips together after cutting



SC1-5050

SC3-5050

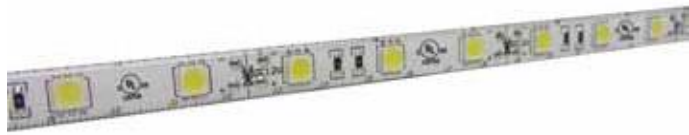


SC2-5050





# Moisture proof Flexible High output LED tape



Side view of weather protection

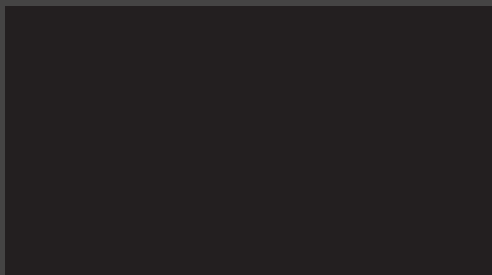
- 11.5W/ Meter
- Moisture proof Silicone Coating
- Cuttable every 3 LEDs - 62mm (2.44")
- 3M Double sided tape on back

Product SKU	LS-Flex-5M-5050-MP-12V-48-XX
Voltage	12V DC
Wattage	11.5W per/Meter
# of LEDs	48 - 5050 chips per Meter
Color Temperature	Warm white 3000K Cool White 5500K
Beam spread	140°
Dimensions	L197 x W0.4 x H0.16in L5000x W10 x H4mm
Lumen output	360 per foot



**Available** in 5 meter lengths

## Applications



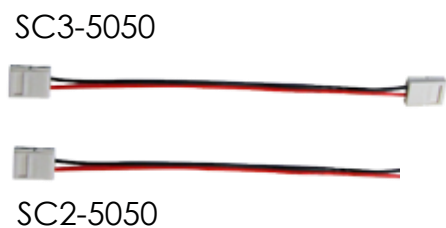
## Features

- Ultra thin flexible LED strip
- Double sided 3M tape
- Xbrite SMD LED technology
- Modern contemporary design
- Simple to install
- +50,000 hour lifespan

**3 Year Warranty**



Solderless connectors make it easy to connect strips together after cutting.







### Outdoor LED Flexible strip



**Includes:** Extra waterproof connectors, end caps & mounting clips

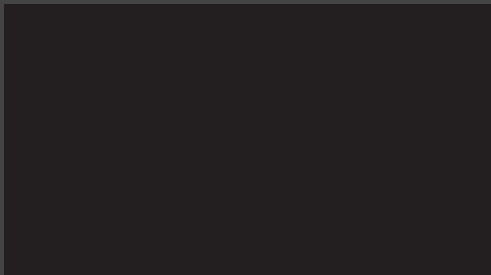
Product SKU	LS-Flex-3M-Out-12V-60-XX LS-Flex-5M-Out-12V-60-XX
Voltage	12V DC
Wattage	4.8W per/Meter
# of LEDs	60 chips per meter
Color Temperature	Warm white 3000K Cool white 5500K
Beam spread	140°
Dimensions	L118 x W0.4 x H0.15in L3000 x W10 x H3mm
Lumen output	145 per foot



- Fully **waterproof**
- Bright & efficient
- Easy to install
- Long lasting
- 3000K or 5500K
- **3 Year Warranty**

**Available in 3 & 5M lengths**

### Applications



### Features

- Waterproof silicone covering
- Slim design
- Mounting clips included
- Simple to install
- Waterproof connectors
- **+50,000** hour lifespan

**3 Year Warranty**



- LEDs can be ✂ every 3 LEDs at the marked locations and re-connected together
- 2 waterproof connections included, one on each end of strip to allow for easy connection to add length
- Requires LED 12V DC Driver (sold separately)

## Aluminum Profiles for LED Flex

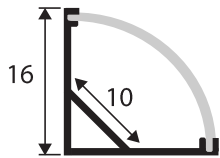
Corner mount



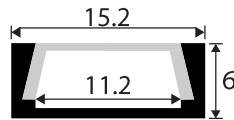
Slim recessed



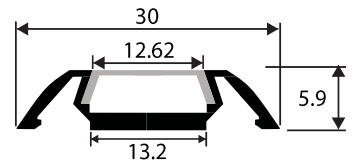
Low profile surface



**LL8**



**LL10**



**LL11**

Product SKU	LL8	LL10	LL11
Length	1M	1M	1M
Cover	Frosted	Frosted	Frosted
Dimensions	L1000 x W16mm	L1000 x W15.2 x H6mm	L1000 x W30 x H5.9mm
Material	Aluminum	Aluminum	Aluminum
Installation	Surface corner	Recessed/ Surface	Surface mount

### Applications

- under cabinet
- bathroom
- closet

- shelving
- bar
- work-space

- under cabinet
- Showcase
- ceiling & wall

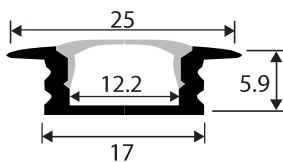


## Aluminum Profiles for LED Flex

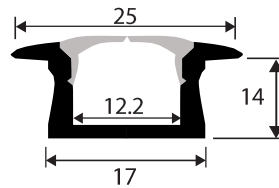
Thin recessed or surface

Deep recessed

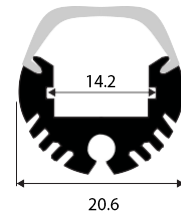
Hanging



**LL15**



**LL16**



**LL19**

Product SKU	LL15	LL16	LL19
Length	1M	1M	1M
Cover	Frosted	Frosted	Frosted
Dimensions	L1000 x W19.2 x H8.5mm	L1000 x W25 x H5.9	L1000 x W
Material	Aluminum	Aluminum	Aluminum
Installation	Surface mount	Recessed/ Surface	Hanging/ Surface
Accessories	End caps & Mounting Clips	End caps	End caps (optional) Suspending hardware

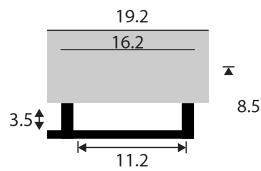
### Applications

- under cabinet
  - bathroom
  - closet
  - hand rail
- shelving
  - bar
  - work-space
  - ceiling & wall
- hanging light
  - picture light
  - display lighting



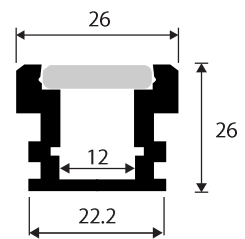
# Aluminum Profiles for LED Flex

Inground LD

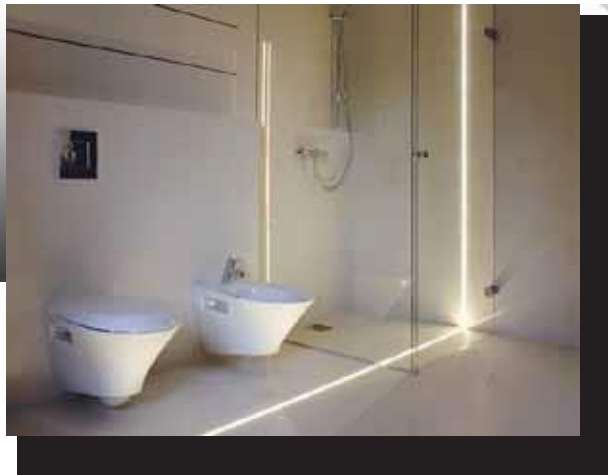


**LL21**

Inground HD



**LL22**



Product SKU	LL21	LL22
Length	1M	1M
Cover	Thick Frosted	Thick Frosted
Dimensions	L1000 x W19.2 x H8.5mm	L1000 x W23 x H25.4 mm
Material	Aluminum	Aluminum
Installation	Recessed mount	Recessed mount
Accessories	End caps	End caps

## Applications

- concrete
- decks
- stairs
- sidewalk
- concrete
- decks
- stairs
- driveway



## LED Sign Modules



Product SKU	LS - Mod - 10
Voltage	12V DC
Wattage	0.72W/ Module
# of LEDs	3 Triple Chip LEDs per Module
Housing	Thermal Resistant PC
Color Temperature	White (6000K)
Lumens	60/ Module
Single Module Dimensions	L3.5 x W0.5 x H0.25in L89 x W12.7 x H6.35mm
Total Length	5ft length includes 10 modules 3" wire length between modules



### Applications

- Backlighting Signage
- Backlighting other transparent objects
- Back bar lighting

### Features

- 3 - 5050 High Brightness Chips/ Module
- Outdoor rated
- Durable & Long Lasting
- 8cm wire between modules
- Flexible installation options





## RGB LED Sign Modules



Product SKU	LS - RGB - Mod- 25
Voltage	11 - 15V DC
Wattage	0.75W/ Module
# of LEDs	3 RGB Chips per Module
# of RGB modules	25
Color Temperature	RGB
Lumens	60/ Module
Dimensions	L3.5 x W0.5 x H0.25in L89 x W12.7 x H6.35mm

**Note:** 3" of RGB wire in between modules

### Applications

- Backlighting Sign Channel letters
- Backlighting other transparent objects
- Back bar lighting



### Features

- 3 - 5050 High Brightness Chips/ Module
- Outdoor rated
- Durable & Long Lasting
- 8cm wire between modules
- Flexible installation options





### RD7 & RD12 RGB LED Puck & Step lights



RD7 RGB

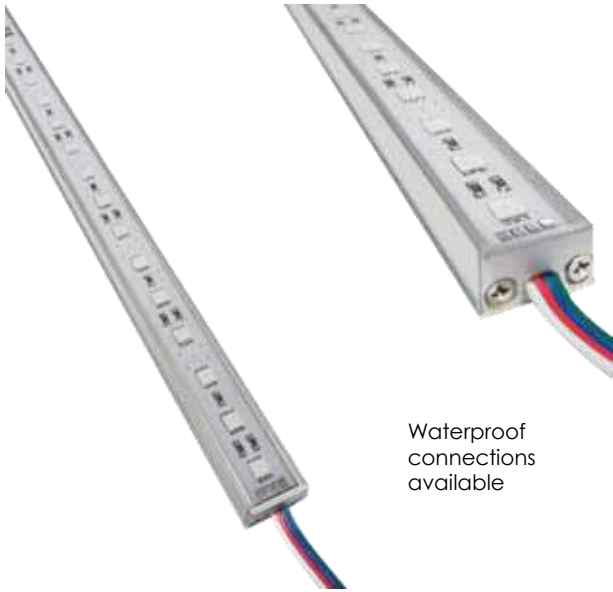


Product SKU	LS - RD7 - RGB	LS - RD12 - RGB
Voltage	12V DC	12V DC
Wattage	2W	0.7W
Light spread	120°	120°
# of LEDs	12	3
Color Temp	RGB	RGB
Dimensions	Ø1.97 x 0.75in Ø50 x 19mm	Ø1.25 x H.73in Ø30.5 x H19.5mm
Lumen output	160	85
IP rating	Indoor only	65 (weather sealed)
Housing	Aluminum	Aluminum
Hole size	1.75in	1.34in (1 <sup>3/8</sup> " hole)





### RGB Linear bar



Waterproof connections available



Product SKU	LS - LL4 - .5M	LS - LL4 - 1M
Voltage	12V DC	12V DC
Wattage	6.5W	13W
Light spread	120°	120°
# of LEDs	30	60
Color Temperature	RGB	RGB
Dimensions	L500 x W20 x 12mm	L1000 x W20 x H12mm
IP rating	64	64
Housing	Aluminum	Aluminum

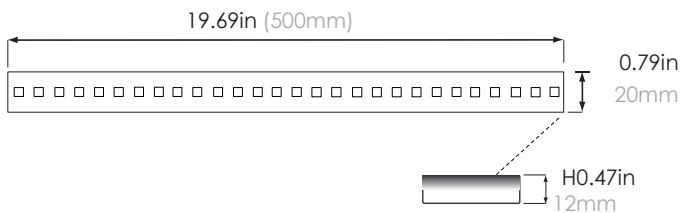
### Applications



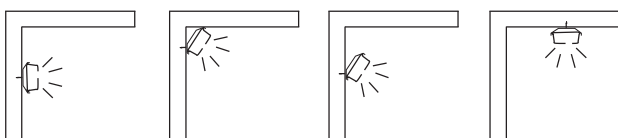
### Features

- Simple installation - includes mounting clips or 3M tape
- Easily connect together for larger applications
- Sleek profile -- Aluminum housing
- Low heat output - reduces fire hazard
- Energy efficient - lifespan **+50,000 hours**

**3 Year Warranty**



Installation options:



Screw & Holder







### RGB LED Flexible Tape



- Cuttable every 3 LEDs  
100mm (3.94")



RGB-SC3

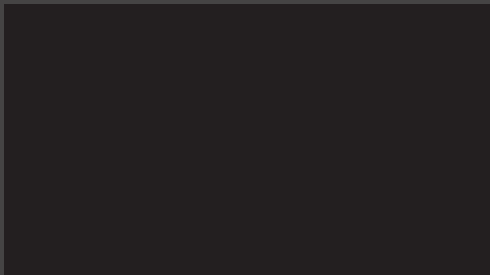


Solderless connectors make simple work of corners or adding extra length where required.

Product SKU	LS-Flex-5M-5050-Ind-12V-30-RGB LS-Flex-25M-5050-Ind-12V-30-RGB
Voltage	12V DC
Wattage	7.2W per/Meter
# of LEDs	150 Triple chip SMDs
Color Temperature	RGB color changing
Beam spread	140°
Dimensions	L197 x W0.5 x H0.10in L5000 x W10 x H4mm

**Available in 5M (16.5') & 25M (82') lengths**

### Applications



### Features

- Ultra thin profile
- Double sided 3M tape
- Xbrite Triple chip SMD LED technology
- Modern contemporary design
- Simple to install
- +50,000 hour lifespan

### 3 Year Warranty

- LEDs can be cut every 3 LEDs at the marked locations and re-connected together
- 2 wire leads on each end of strip allow for easy connection to add length
- Requires LED 12V DC Driver (sold separately)+ a controller





# Outdoor LED Flexible RGB strip

Weather sealed version



- Cuttable every 3 LEDs 100mm (3.94")

Waterproof version Available in **10M**

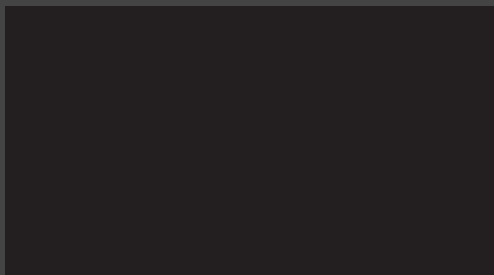


Product SKU	LS-Flex-3M-5050-MP-12V-30-RGB LS-Flex-5M-5050-MP-12V-30-RGB LS-Flex-10M-5050-Out-12V-30-RGB
Voltage	12V DC
Wattage	7.2W per/Meter
# of LEDs	30 Triple chip SMDs
Color Temperature	RGB color changing
Beam spread	140°
Dimensions	L118 x W0.4 x L0.15in L3000 x W10 x H4mm



Weatherproof connectors included

## Applications



## Features

- Ultra thin moisture proof transparent silicone jacket
- Double sided 3M tape (WS version only)
- Xbrite Triple chip SMD LED technology
- Modern contemporary design
- Simple to install
- +50,000 hour lifespan

### 3 Year Warranty



- Waterproof connections on each end of strip allow for easy connecton to add length
- LEDs can be ✂ every 3 LEDs at the marked locations and re-soldered together
- Requires LED 12V DC Driver & LED controller to function properly (sold seperately)



### RGB Controllers

#### RF 44 Key Controller



- Simple to use
- Customizable
- **Includes:** DIY color options + more

Product SKU	LS - RGB - RF44
Voltage	12V - 24V DC
Remote	RF (Radio Frequency)
Remote range	50 ft (no line of sight req'd)
Modes	16 Static colors Flash, Strobe, Fade 16 Speed levels 6 DIY Keys - Custom RGB Colors
Controller dimensions	L5.0 x W2.5 x H0.94in L128 x 64 x 24mm
Max Watts	144

#### RF Multi-zone Programmable



- Design your own program
- Control up to 4 zones



Wifi option available



Product SKU	LS - RGB - PMZR (Remote) LS - RGB - PMZRC (Receiver) LS - Wifi - RC
Voltage	12V - 24V DC
Remote range	RF - Up to 100 ft
Remote dimensions	L55 x W120 x H17mm
Controller dimensions	L58 x W168 x H28mm
Remote range	RF up to 100 ft
Function	Control RGB + W Fade, Step & Jumping + Dim 3 Zone control

#### Wifi RGB Controller - Touch



Touchscreen remote



Control lights with remote or smartphone



Product SKU	LS - RGB - Wifi
Voltage	12V - 24V DC
Remote range	RF - Up to 100 ft
Remote dimensions	L59 x W115 x H12mm
Receiver dimensions	L46 x W178 x H18mm
Wifi dimensions	L50 x W99 x H20mm
Function	Control up to 8 zones 10 Preset changing modes + dimming



### RGB Controllers

#### RGB/W Multi-zone Controller



- Multiple White color options
- Control 4 zones
- Save your settings



Product SKU	LS - RGB - MZR (Remote) LS - RGB - MZRC (Receiver) LS - Wifi - RC
Voltage	12V - 24V DC
Remote	RF - Up to 100 ft
Remote dimensions	L55 x W120 x H17mm
Controller dimensions	L58 x W168 x H28mm
Functions	4 Independent RGB/W Zones Fade, Step, Jump + Dim options

#### RF Master & Slave



Product SKU	LS - RGB - RF - Master LS - RGB - Slave
Voltage	12V - 24V DC
Remote	RF 50ft
Modes	10 Total: 7 static modes 3 colour changing, dimming
Controller dimensions	L4.96 x W2.56 x H1.2in L126 x W65 x H30mm
Max Watts	144

Simple multi-zone control





### RGB Controllers & Amplifiers

#### RF Wall mount controller



Wall mount & remote control options included

Product SKU	LS - RGB - Wall Mt - RF Remote
Voltage	12V - 24V DC
Remote	Radio frequency
Remote range	Up to 100 ft
Modes	21 modes
Controller dimensions	W4.75 x L2.1 x H1in W121 x L53 x H25 mm
Wall Mount outside dimensions	L4.7 x W3 x H1.25 in L119 x W76 x H32mm
Wall Mount recessed cutout dimensions	L4.25 x W2.5 x H0.95in L108 x W63.5 x H24mm
Max Watts	144

#### RF Audio



Lights move to the music + much more

Product SKU	LS - RGB - RF - Audio
Voltage	12V DC (8 amps)
Remote	RF (no line of site required)
Remote range	Up to 100 feet
Modes	10 Total: 7 static modes, 2 colour changing, 1 user programmable mode
Controller dimensions	L3.5 x W2.5 x H1in
Max Watts	144

#### RGB Mini Amplifier



Extends RGB signal

Product SKU	LS - RGB Mini Amplifier
Voltage	12V DC
Dimensions	L4.19 x W2.56 x H0.98in L106.6 x W65 x H25mm
Max Watts	144



**RGB** Controllers, Amplifiers & DMX

Outdoor RGB Amplifier



Extends RGB signal in outdoor applications

Product SKU	LS - RGB - WP - Amplifier
Voltage	12V - 24V DC Input
Output power	144W
Output current	4A each channel
Working Temperature	-50°C - +65°C
Dimensions	L95 x W52 x H30mm

**RGB** DMX Decoder



Used to control low voltage RGB lighting with **DMX 512 controls**

Product SKU	LS - DMX Decoder
Voltage	12V - 24V DC Input
Output	4 Channel
Output current	Each channel 4A
Dimensions	L165 x W68 x H40mm
Output power	12V 144W

**RGB** DMX Console



Console to control DMX fixtures

Product SKU	LS - DMX Console
Voltage	120 - 240V AC Input
Output terminal	XLR-3
Dimensions	L 21 x 7.25 x 4" L535 x W185 x H100mm
Features	192CH, 12 Scanner, 16 Channels per scanner 8 Sliders, 6 Programmable chases of 240 Scenes Power failure memory & Blackout protection



## RF Dimmer



**Wall mount remote** requires no wiring to operate



Wall mount version



Remote version

- Low voltage dimmer w/remote
- Dims puck lights, linear lights, flexible strip lights etc
- Easy to install and operate

Product SKU	LS - RF - Dimmer LS - RF - Wall dimmer
Input Voltage	12 - 24V DC
Max Load	8A (96W)
Output	Single Channel
Output Power	12V - 96W
Receiver Size	L4.33 x W2.2 x H1.34" L110 x W56 x H34mm
Wall mount size	L4.25 x W2.5 x H1.25" L120 x W75 x H32mm
Function	Dims from 0 ~ 100 using PWM (pulse width modulation)
Remote or Wall mount	On/off -- brightness up & brightness down

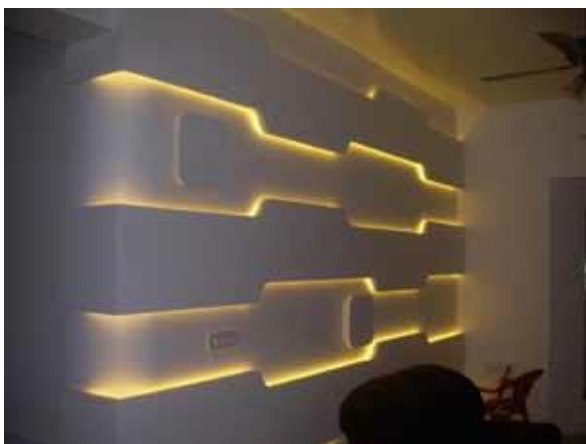
## Applications

Under cabinet lights  
Flexible strip lights  
Display lighting

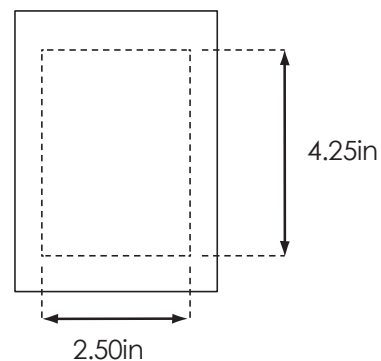
## Features

- RF Dimmer with Wall mount or Remote
- Used with 12V or 24V systems
- Requires no additional wiring
- One dimmer can handle up to 96W
- Controls dimmer up to 30ft away

## 3 Year Warranty



Hole cutout for RF Wall remote





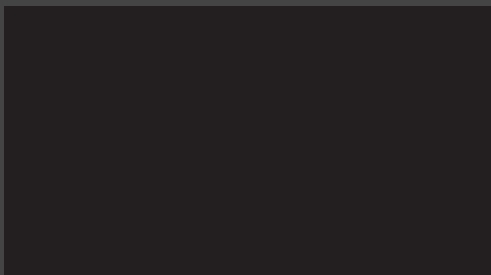
### RF Inline LV Dimmer



- Inline Low voltage dimmer with remote
- Dims puck lights, linear lights, flexible strip lights etc
- Easy to install and operate

Product SKU	LS - RF - Inline - LV - Dimmer
Input Voltage	12 - 24V DC
Max Load	5 Amps
Output	Single Channel
Output Power	12V - 72W
Receiver Size	L2.5 x 0.5 x 3/8" L110 x W56 x H34mm
Function	On/off & dim 3 Preset dim: 25%/50% & 100% Plus: strobing, flashing & fading
Remote	On/off, brightness up, brightness down

### Applications



### Features

- RF Dimmer with remote
- Used with 12V or 24V systems
- Requires no additional wiring
- One dimmer can handle up to 96W
- Controls dimmer up to 30ft away

### 3 Year Warranty

### Multi-zone dimmer



control up to **4 zones** independently

Use Multiple receivers with one remote



Wifi option available

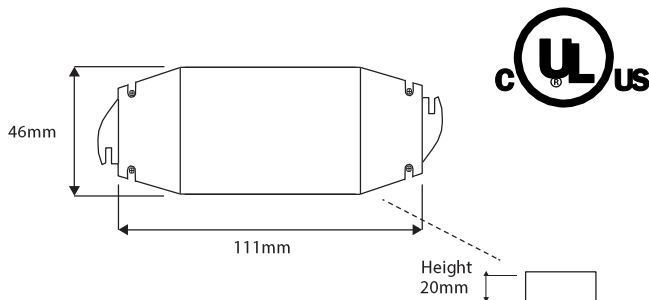
Product SKU	LS - MZR (Remote) LS - MZRC (Receiver) LS - Wifi - RC
Voltage	12V - 24V DC
Remote	RF (no line of site required)
Remote dimensions	L55 x W120 x H17mm
Controller dimensions	L58 x W168 x H28mm
Remote range	Up to 100 feet
Functions	4 Independent Zones Save settings for quick access
33	





### LED Power supply

15W



Product SKU	LS - 15W Ind Driver - CV
Input	100 - 230V AC
Output	12V DC
Wattage	15W max
Wire lead length	Plug input 6ft wire Output 6" wire
Dimensions	L111 x W46 x H20mm L4.37 x W1.81 x H0.79in

#### Technical data

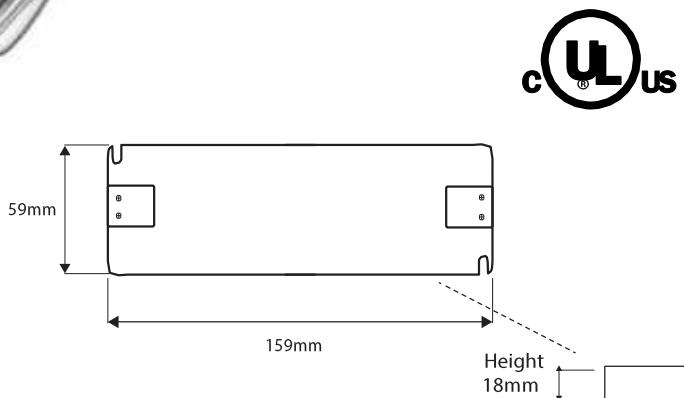
- Short circuit and overload protection
- Indoor use only
- Surface mountable
- Easy installation
- Protection: **Class 2**

### Applications

Used with 12V DC Products:

- Cabinet Lighting
- Linear lighting
- Flexible strip lighting
- Signage lighting

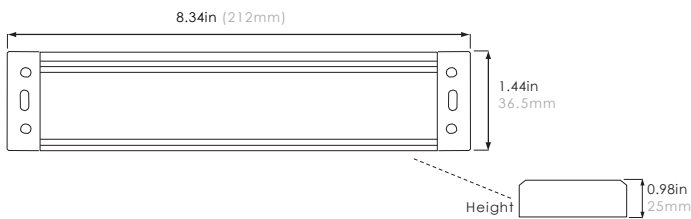
30W



Product SKU	LS - 30W Ind Driver - CV
Input	100 - 230V AC
Output	12V DC
Wattage	30W max
Wire lead length	Plug input 6ft wire Output 6" wire 135mm
Dimensions	L 6.26 x W2.3 x H0.71in L159 x W59 x H18mm



### 30W Indoor/Outdoor Power Supply



#### Applications

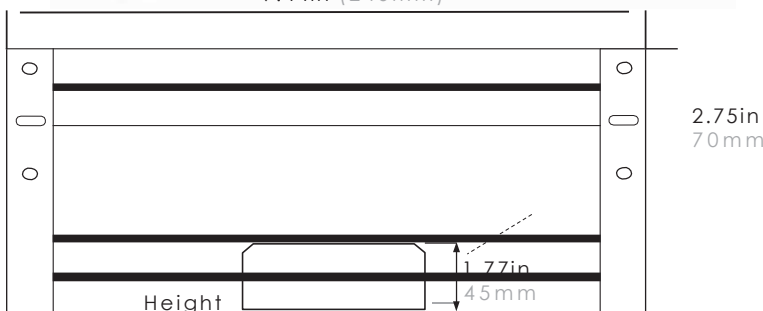
Used with 12V DC Products:

- Linear Lighting
- Cabinet Lighting
- Flexible strip lighting
- Signage lighting

Product SKU	LS - 30W Driver - CV
Input	90 - 130V AC (50 - 60Hz)
Output	12V DC (2.5A)
Wattage	30W max
Dimensions	L 8.34 x 1.44 x 0.98in L212 x W36.5 x H25mm



### 60W Indoor/Outdoor Power Supply



Product SKU	LS - 60W Driver - CV
Input	100 - 130V AC (50 - 60Hz)
Output	12V DC (5A)
Wattage	60W
Dimensions	L9.45 x 2.75 x 1.77in L240 x W70 x H45mm





# 132W Indoor/Outdoor Power Supply



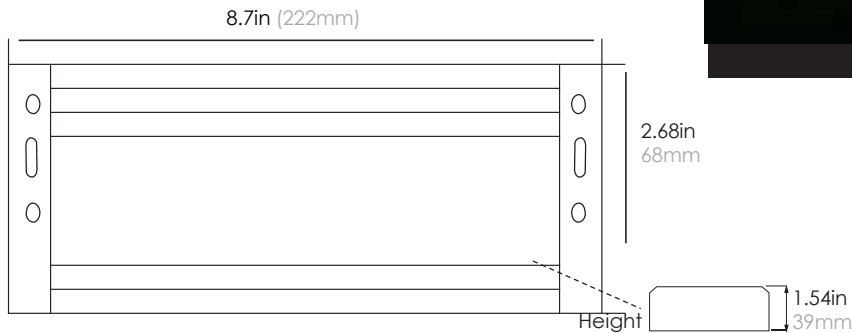
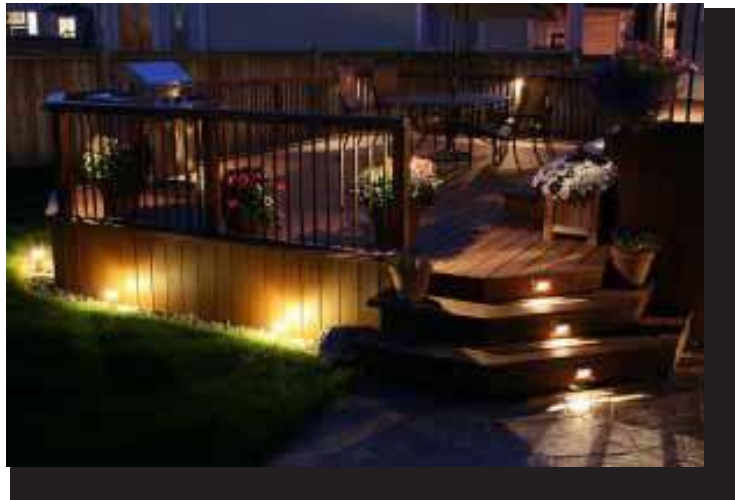
Product SKU	LS - 132W Driver - CV
Input	100 - 277V AC
Output	12V DC (11A )
Wattage	132W max
Dimensions	L 8.34 x 1.44 x 0.98in L212 x W36.5 x H25mm



## Applications

Used with 12V DC Products

- Linear Lighting
- Cabinet Lighting
- Flexible strip lighting
- Signage lighting





## Dimmable LED Power Supply



**20W - 60W - 150W - 300W**



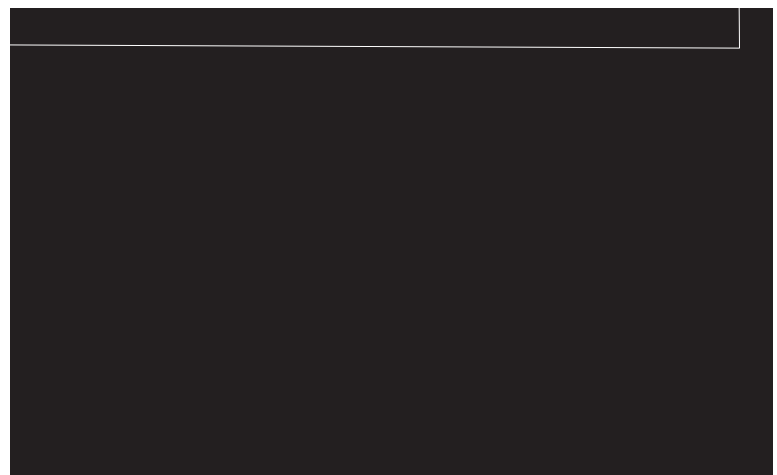
### Applications

Used with 12V DC Products:

- Linear Lighting
- Cabinet Lighting
- Flexible strip lighting
- Signage lighting



Product SKU	LS - 20W Dim - CV LS - 60W Dim - CV LS - 150W Dim - CV LS - 300W Dim - CV
Input	120V AC 60Hz
Ourput	12V DC
Wattage	20/60/150/300W Max
Dimensions 20W	L5.6 x W2.0 x H2.14in
Dimensions 60W	L6.55 x W2.55 x H2.25in
Dimensions 150W	L9.8 x W3.0 x H3.0in
Dimensions 300W	L9.8 x W4.2 x H3.5in



### Dimmable LED DC Magnetic Power Supply



LED S-1.COM

solarssl.com



Power LED Bulbs



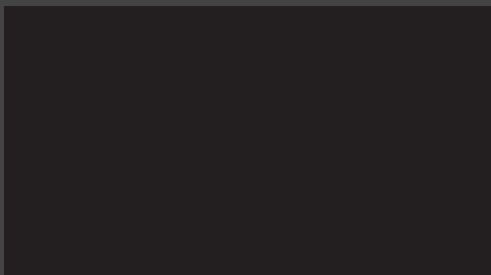


**Fully Dimmable**



Product SKU	ALED - A19 - 12W
Voltage	120V AC
Wattage	12W
Base	E26
Housing	Thermal Resistant PC
Brand of LED chip	Samsung
Color Temperature	Warm White 2700K
Dimensions	Ø2.36 x 4.49in Ø60 x 113mm
Lumen output	800
Light spread	360°
Replaces	60 - 75W Incandescent

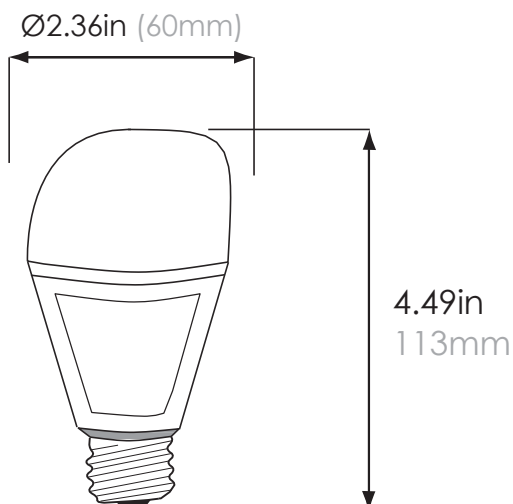
## Applications



## Features

- Unique design creates even illumination
- Simple to install - Direct replacement
- E26 medium screw base
- Low heat output
- High brightness using only 12W power

**3 Year Warranty**





Product SKU	LS - GU10 - COB - 7W
Voltage	120V AC
Wattage	7W
Base	GU10
# of LEDs	1 COB LED
Beam degree	40°
Color Temperature	Warm white 3000K Natural white 4500K
Dimensions	Ø1.97 x 2.39in Ø50 x L60.8mm
Lumen output	475
CRI	> 85
Dimmable	Yes

Fully Dimmable | Damp location rated



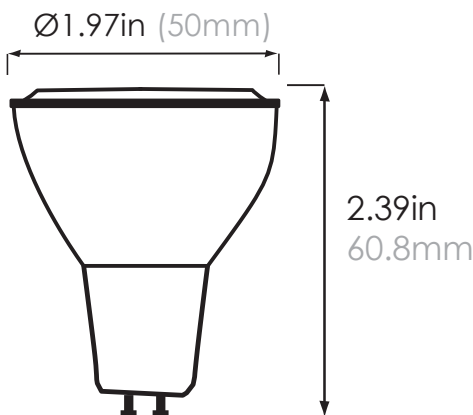
## Applications

Track lighting  
 Recessed lighting  
 Downlighting  
 Spot lighting

## Features

- Innovative solid state lighting technology
- Rated lifespan +40,000 hours
- Aluminum housing dissipates heat away from LEDs
- Contemporary design
- Emits no UV - will not fade colors

**3 Year Warranty**





Fully Dimmable | Damp location rated



Product SKU	LS - MR16 - COB - 7W
Voltage	12V AC/DC
Wattage	7W
Base	GU5.3
# of LEDs	COB LED Chip
Beam degree	40°
Color Temperature	Warm white 3000K Natural white 4500K
Dimensions	Ø1.97 x 2.04in Ø50 x 52mm
Lumen output	475
CRI	> 85
Dimmable	Yes

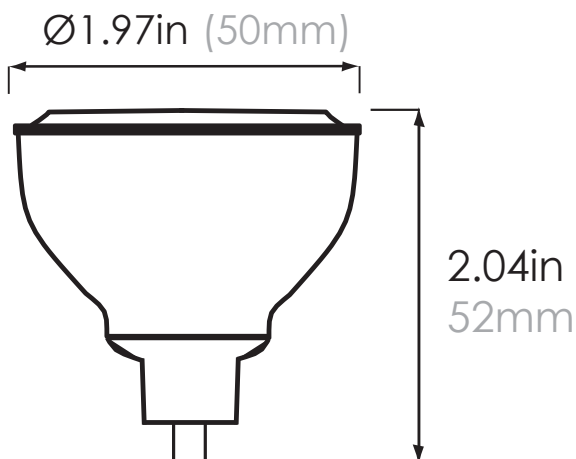
### Applications

- Track lighting
- Recessed lighting
- Downlighting
- Spot lighting

### Features

- Innovative solid state lighting technology
- Rated life span +40,000 hours
- Aluminum housing dissipates heat away from LEDs
- Contemporary design
- Emits no UV - will not fade colors

**3 Year Warranty**







Fully Dimmable | Damp location rated



Product SKU	LS - BR20 - 7W
Voltage	120V AC
Wattage	7W
Base	E26 (medium base)
Housing	Aluminum
# of LEDs	Samsung Power LEDs
Degree	120°
Color Temperature	WW 2700K
Dimensions	Ø2.50 x 3.75in
Lumen output	500
Replaces	50W R20
Dimmable	Yes

### Applications

- Recessed lighting
- Flood lighting
- Track lighting
- General lighting

### Features

- Direct replacement - fits standard medium base sockets
- Ideal for replacing recessed incandescent pot lights or halogen track lighting
- Low power consumption - 7W
- High brightness power LED technology
- Long lifespan **+50,000** hours

**3 Year Warranty**





Fully Dimmable | Damp location rated



Product SKU	LS - BR30 - 12W
Voltage	120V AC
Wattage	12W
Base	E26 (medium base)
Housing	Aluminum
Type of LED	Samsung Power LEDs
Degree	120°
Color Temp	WW 2700K
Dimensions	Ø3.75 x 5.9in
Lumen output	1000
Replaces	90W R30 or BR30 Incandescent bulbs
Dimmable	Yes

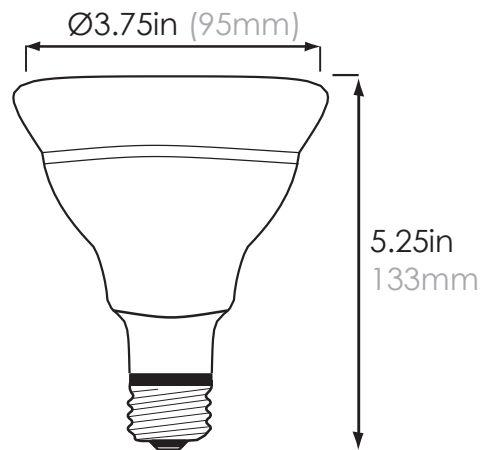
### Applications

- Recessed lighting
- Flood lighting
- Track lighting
- General lighting

### Features

- Fits standard standard medium base sockets
- Ideal for replacing recessed incandescent pot lights or halogen track lighting
- Low power consumption - 12W
- High brightness power LED technology
- Long lifespan +50,000 hours
- Excellent color temperature and beam spread

**3 Year Warranty**





Fully Dimmable | Damp location rated



Product SKU	LS - 4DL - COB - 13W LS - 6DL - COB - 13W
Voltage	120V AC
Wattage	13W
Base	E26 (medium base)
Degree	100°
Color Temperature	WW / NW / CW
Dimensions	Fits standard 4" or 6" pot lights
Lumen output	750 - 1000
CRI	>85
Replaces	75W Incandescent

### Applications

Flood light  
 Recessed lighting  
 General lighting

### Features

- Direct replacement for 4 - 6 pot lights
- Only 13W = 1000 Lumens
- High brightness power LED technology
- Long lifespan +50,000 hours
- Excellent color temperature

**3 Year Warranty**





**Fully Dimmable**



Product SKU	LS - PAR20 - 7W
Voltage	120V AC
Wattage	7W
Base	E26 (medium base)
Housing	Aluminum
# of LEDs	1 COB Cree LED
Degree	45°
Color Temperature	WW 3000K / NW 4500K
Dimensions	Ø2.44 x H3.23" Ø62 x H82mm
Lumen output	650
Replaces	50W Incandescent
Dimmable	Yes

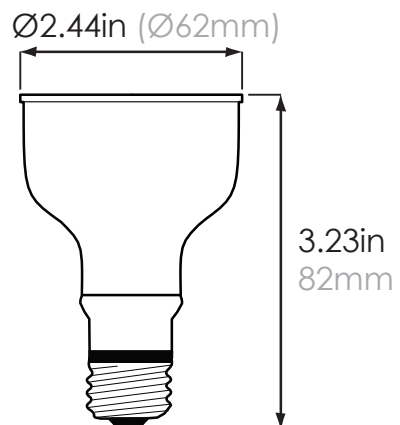
### Applications

- Recessed lighting
- Spot lighting
- Track lighting
- General lighting

### Features

- Direct replacement for 50W halogen
- Ideal for replacing recessed pot lights or halogen track lighting
- Low power consumption - 7W
- High brightness **COB power LED** technology
- Long lifespan **+50,000** hours
- Excellent color temperature

**3 Year Warranty**





Fully Dimmable | Damp location rated

Product SKU	LS - PAR30 - 13W
Voltage	120V AC
Wattage	13W
Base	E26 (medium base)
Housing	Aluminum
# of LEDs	1 COB Cree LED
Degree	40°
Color Temperature	WW (3000K)
Dimensions	Ø3.54 x 4.5" Ø90 x H115mm
Lumen output	800
CRI	>85
Replaces	65 - 75W Incandescent



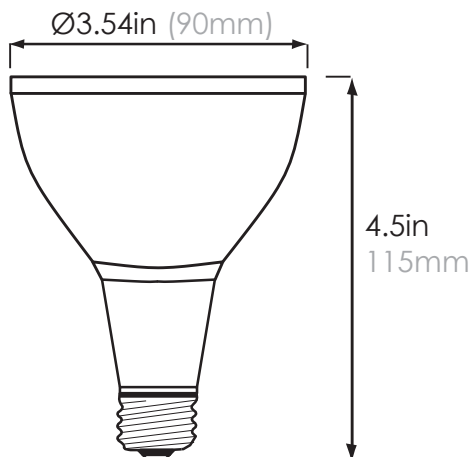
### Applications

- Spot lighting
- Track lighting
- Recessed lighting
- General lighting

### Features

- Direct replacement - fits medium base sockets
- Ideal for replacing halogen or CFL
- High brightness power LED technology
- Long lifespan **+50,000** hours
- Excellent color temperature and beam spread
- Low power consumption

**3 Year Warranty**





Fully Dimmable | Damp location rated

Product SKU	LS - PAR38D -17W
Voltage	120V AC
Wattage	17W
Base	E26 (medium base)
Housing	Aluminum
# of LEDs	1 COB Cree LED
Degree	40°
Color Temperature	WW (3000K)
Dimensions	Ø117 x H130mm
Lumen output	1200
CRI	>85
Replaces	120W Incandescent



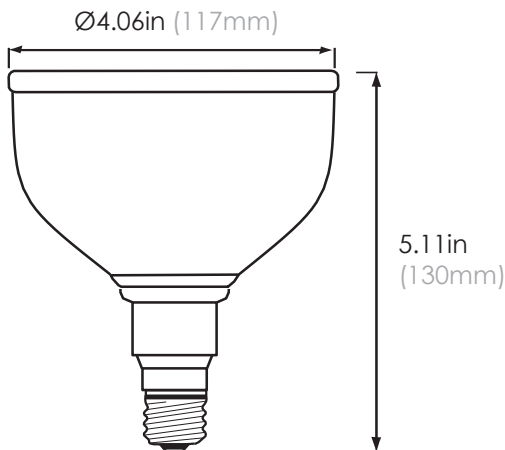
### Applications

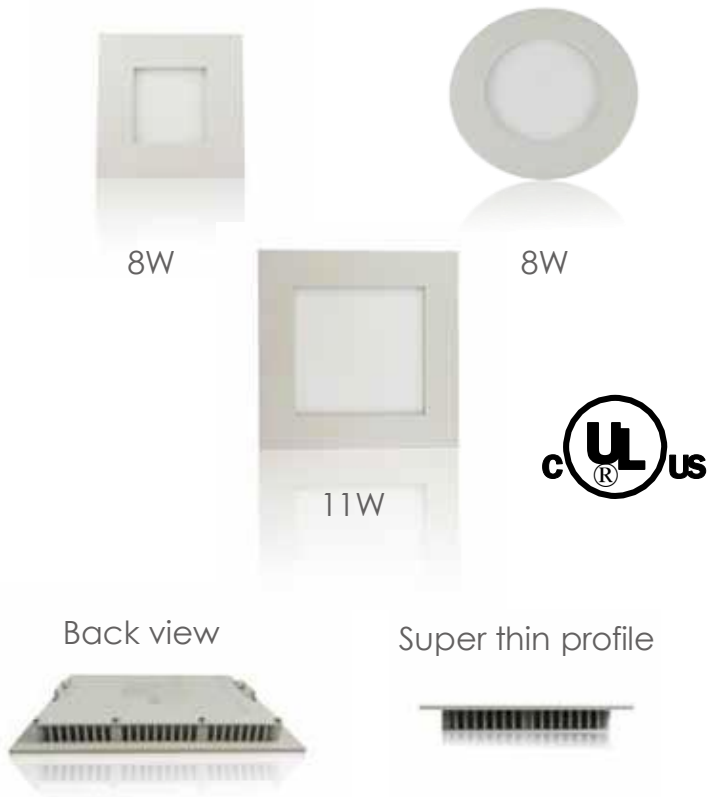
- Spot lighting
- Track lighting
- Recessed lighting
- General lighting

### Features

- Direct replacement - fits medium base sockets
- Ideal for replacing halogen or CFL
- High brightness power LED technology
- Long lifespan **+50,000** hours
- Excellent color temperature and beam spread
- Low power consumption

### 3 Year Warranty





Product SKU	LS - 8W-SQ-XX LS - 8W-RD -XX LS - 11W-SQ-XX
Voltage	120V AC
Wattage	8W & 11W
Install	Recessed
Housing	Aluminum
Degree	120°
Color Temperature	WW 3000K NW 4500K
Lumen output	8W (540) 11W (900)
Dimmable	Yes (optional)

### Applications

- Recessed lighting
- Office lighting
- Kitchen lighting
- Hallway lighting

### Features

- Install directly into drywall
- Ideal for replacing recessed pot lights
- Low power consumption: 8W - 11W
- High brightness **LED** technology
- Thin IC rated easy to install with spring clips
- Excellent color temperature

**3 Year Warranty**



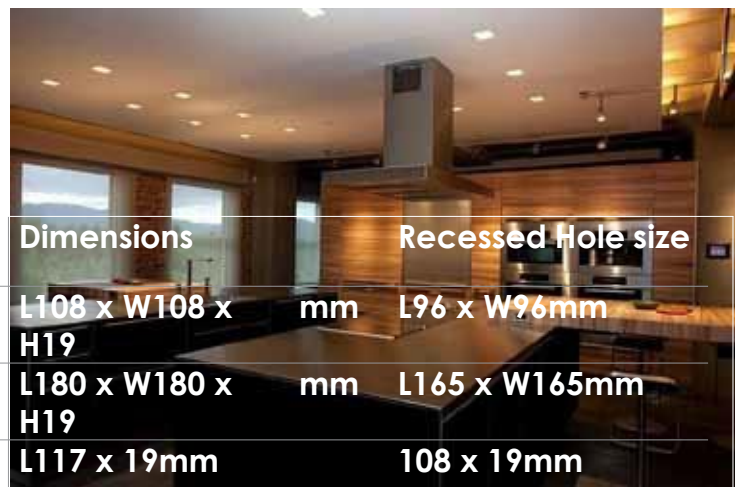
Pressure fit clips allow for quick installation

#### Product SKU

LS - 8W - SQ

LS - 11W - SQ

LS - 8W - RD



Dimensions	Recessed Hole size
L108 x W108 x H19 mm	L96 x W96mm
L180 x W180 x H19 mm	L165 x W165mm
L117 x 19mm	108 x 19mm



### PL LED Lamp



Product SKU	LS - PL - 9W
Input Voltage	90 - 277V AC
Wattage	9W
Base	G24
Beam degree	180°
Lumens	830
Color options	Warm white 3000K White 6000K
Housing	Aluminum with rotatable base
Dimensions	Ø41 x 120mm



**Note:** Ballast must be disabled before install

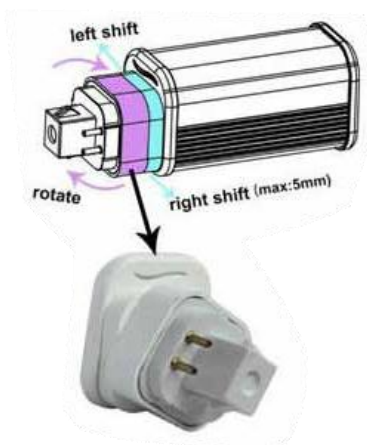
### Applications



### Features

- Directly replaces CFL PL lamps
- G24 rotatable base
- Super bright light output
- Easy to install
- Long lifespan

**3 Year Warranty**







### LED T8 Tube



Product SKU	LS - T8 - 4ft
Voltage	120V AC (347V AC option)
Wattage	18W or 22W
Base	G13
# of LEDs	192 PCS 3014 SMDs
Beam degree	120°
Color Temperature	WW / NW / CW Frosted & Clear options
Dimensions	Ø25.4 x L1200mm Ø1.0 x 47.2in
Lumen output	2000



**Note:** Ballast must be disabled before install

### Applications

- T8 Fixtures
- Office lighting
- Downlighting
- Parking garage

### Features

- Innovative solid state lighting technology
- Directly replace of existing fluorescent tubes with minor wiring modifications
- Aluminum housing dissipates heat away from LEDs
- **SMD LED chip** technology
- Emits no UV - will not fade colors

### 3 Year Warranty

### Benefits of using LED T8 Tubes

- Direct replacement for T8 Fluorescent
- Significant energy savings
- Reduced maintenance cost
- Lifespan 8 -10X longer than fluorescents
- Simple to install
- Excellent color temperature





### LED Outdoor Floodlight



Product SKU	LS-Outdoor Flood-30W	LS-Outdoor Flood-50W
Voltage	120V AC	120V AC
Wattage	30W	50W
# of LEDs	1 COB Chip	1 COB Chip
Beam degree	160°	160°
Color Temperature	WW 3000K / CW 6000K	WW 3000K / CW 6000K
Dimensions	L8.9 x W7.3 x H5.3in L225 x W185 x H135mm	L 13.8 x W7.87 x H11.42in L350 x W200 x H290mm
Lumens	2850	4550



### Applications



### Features

- **COB LED** Technology
- Commercial grade build quality
- Black housing & Clear glass
- Super bright & long lasting
- Outdoor rated for extreme environments

**3 Year Warranty**

Product SKU	LS - Outdoor Flood - 10W - WW LS - Outdoor Flood - 10W - WH LS - Outdoor Flood - 10W - RGB
Voltage	12V DC
Wattage	10W
# of LEDs	1 COB Chip
Beam degree	160°
Color Temp	WW 3000K / CW 6000K / RGB
Dimensions	L115 x W87 x H81
Lumens	CW 800 / RGB 500



## Outdoor LED Garden Uplight



Product SKU	LS - GUL - 6W - XX
Voltage	12V DC
Wattage	6W
# of LEDs	1 COB Chip
Beam degree	45°
Color Temperature	WW 3000K / RGB
Dimensions	H75 x W50mm
Lumens	330

### Applications



### Features

- Innovative solid state COB LED Technology
- Low power consumption
- Directly replaces halogen
- Low maintenance cost
- Simple to install

### 3 Year Warranty



Available in **Warm white** or **RGB** color options. Simple to install and operate with the use of our Low voltage LED power supplies.

Can bring ambiance to any landscape or garden application.

**\*For use on 12V DC systems only\***

- **RGB** version uses 4 wire system



## RGB LED Color Blaster



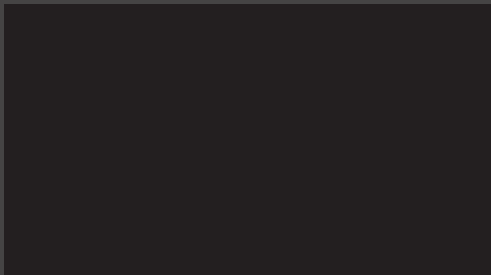
Can be operated one of 3 ways:

- Internal (Standalone)
- DMX mode
- Daisy Chain (10 units)



Product SKU	LS - RGB - Color Blaster
Voltage	100 - 256V AC
Wattage	55W
# of LEDs	36 High Power RGB LEDs
Color Temperature	RGB (12R / 12G / 12B) (WW + WH option)
Beam spread	45°
Dimensions	L13.1 x W5.79 x H8.72"
Lumen output	2000
Max daisy chain	10 units
Rotation of base	150°

### Applications



### Features

- Super bright RGB LED Wall Washer
- Power LED Technology
- Modern contemporary design
- Simple to install
- +50,000 hour lifespan

**3 Year Warranty**





### RGB LED Wall Washer



Can be operated one of 3 ways:

- Internal (Standalone)
- DMX mode
- Daisy Chain (10 units)



Product SKU	LS - WW - Bar - XX
Voltage	120V AC
Wattage	20 - 40W
# of LEDs	18 - 36
Color Temperature	RGB / Warm white & White
Beam spread	45°
Dimensions	0.5M & 1M Length
Lumen output	700 - 3600
Max daisy chain	10 units
Power cord length	56"

### Applications

Architectural lighting  
 Stage lighting  
 Landscape lighting  
 Accent lighting

### Features

- Super bright RGB LED Wall Washer
- Xbrite LED Technology
- Modern contemporary design
- Simple to install
- +50,000 hour lifespan

**3 Year Warranty**

[lumenstarled.com](http://lumenstarled.com)





### LED PAR64 RGB Spotlight



Can be operated in one of 3 ways:

- Internal (Standalone)
- DMX mode
- Daisy Chain (10 units)



Product SKU	LS - RGB - PAR64
Voltage	100 -256V AC
Wattage	55W
# of LEDs	36
Color Temperature	RGB / White
Beam spread	30°
Dimensions	H6.69 x Dia 7.88"
Lumen output	2200
Max daisy chain	10 units
Power cord length	56"





### Decorative marquee & Festival LED bulbs



S14



S11



G25



S11



E17-S11



E17-S11



G8-CLR



G8-FRST



EA6



C6



6S6-NC



## 12V Yacht and RV Lights

Low voltage **12V & 24V DC**  
Voltage regulated  
**10 - 30V DC**



LS - BA15 - XX  
10-30V DC



LS - G4 - XX  
10-30V DC



LS - MR11 - XX  
10-30V DC



LS - G4 Tower - XX  
10-30V DC



LS - T10 - XX  
10-30V DC



LS - Festoon - XX  
10-30V DC



LS - 13V - 1383  
Single Contact



LS - Square  
10-30V DC



LS - G4-HB15  
10-30V DC

## Features

- Long lasting
- low heat
- Direct replacement





## Plastics, Tooling & Packaging capabilities

### OEM

Lumenstar can facilitate OEM, ODM and private label manufacturing. We offer complete services from prototype design and manufacturing to full color, white or custom color packaging.

Colours available:

- Warm white - WW
- Natural white - NW
- Cool white - CW
- Red, Green, Blue - RGB

Custom colors available upon request, MOQ required.

What we can offer:

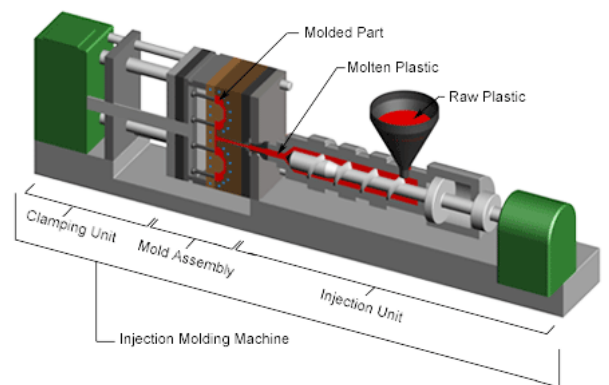
### Packaging

- Custom branded packaging
- Clamshell packaging
- White or colored box



### Plastics & Tooling Manufacturing Plant

- In house plastic molds and prototypes
- In house CAD designer
- OEM/ODM Products built to spec



### Injection department

- Injection machines
- Color mixer
- Crusher

### Mold department

- CNC lathe
- Drilling machine
- Milling machine
- Wire cutting Machine



## Accessories

Coaxial Barrel connectors



Magnetic switch



Timed Motion sensor



Snap connectors



String lights non suspended



String lights suspended



Block connectors



Indoor wire



Outdoor wire



E26 base extender



3M tape - 50M roll



MR16 / MR11 / G4 base

